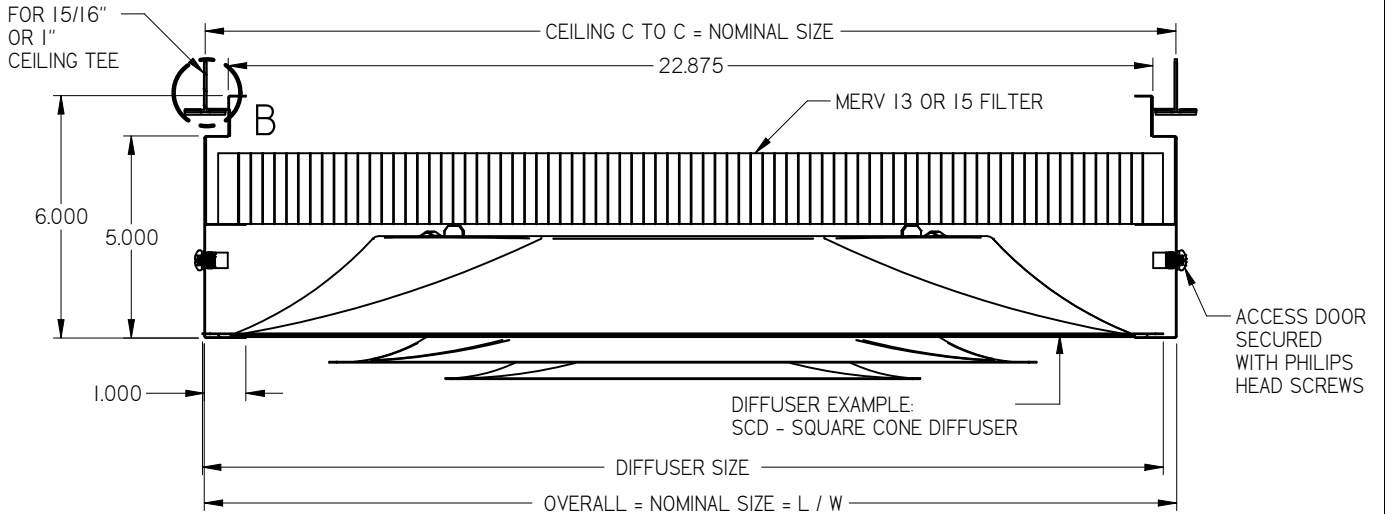
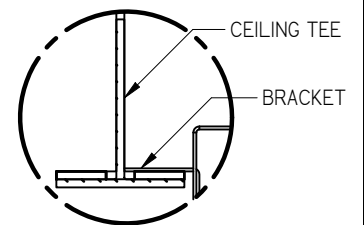
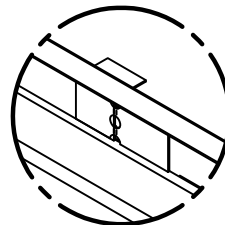
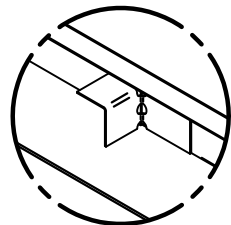
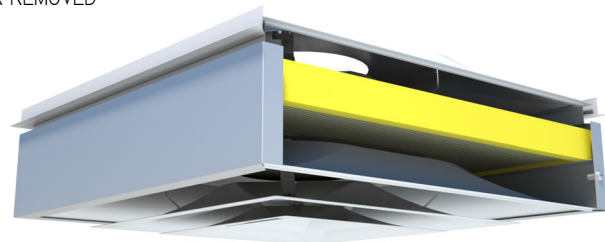
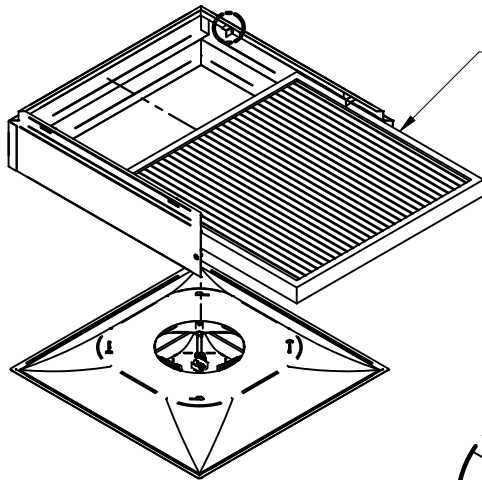


**FDM - FILTERED DIFFUSER MODULE
EXPOSED**



DIMENSIONAL DATA:

NOM SIZE	L	W
24 x 24	24.000	24.000



STANDARD CONSTRUCTION:

- 24 GA STEEL MATERIAL CONSTRUCTION
- 2" THICK MERV 13 OR 15 FILTER
- ACCESS DOOR SECURED WITH ZINC PLATED PHILLIPS HEAD SCREWS
- TOTAL WEIGHT - 14.5 LBS

DIFFUSER:

- SPD - SQUARE PLAQUE DIFFUSER
- SCD - SQUARE CONE DIFFUSER
- SMD - MODULAR LOUVERED FACE DIFFUSER

FINISH:

- B12 STANDARD WHITE POWDER COAT

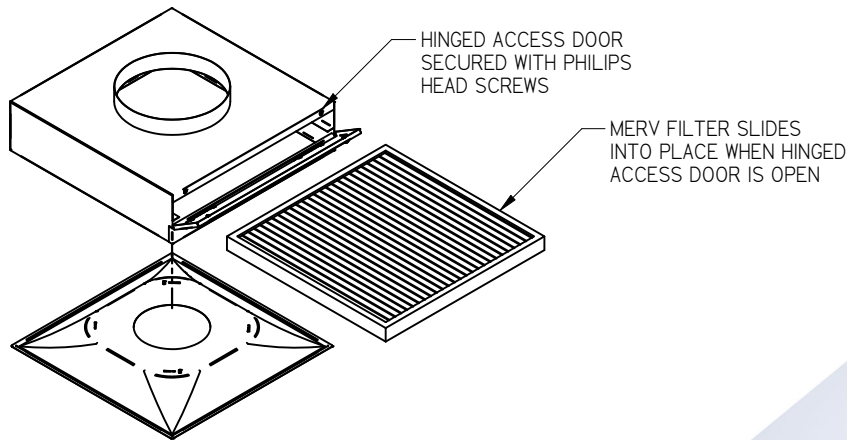
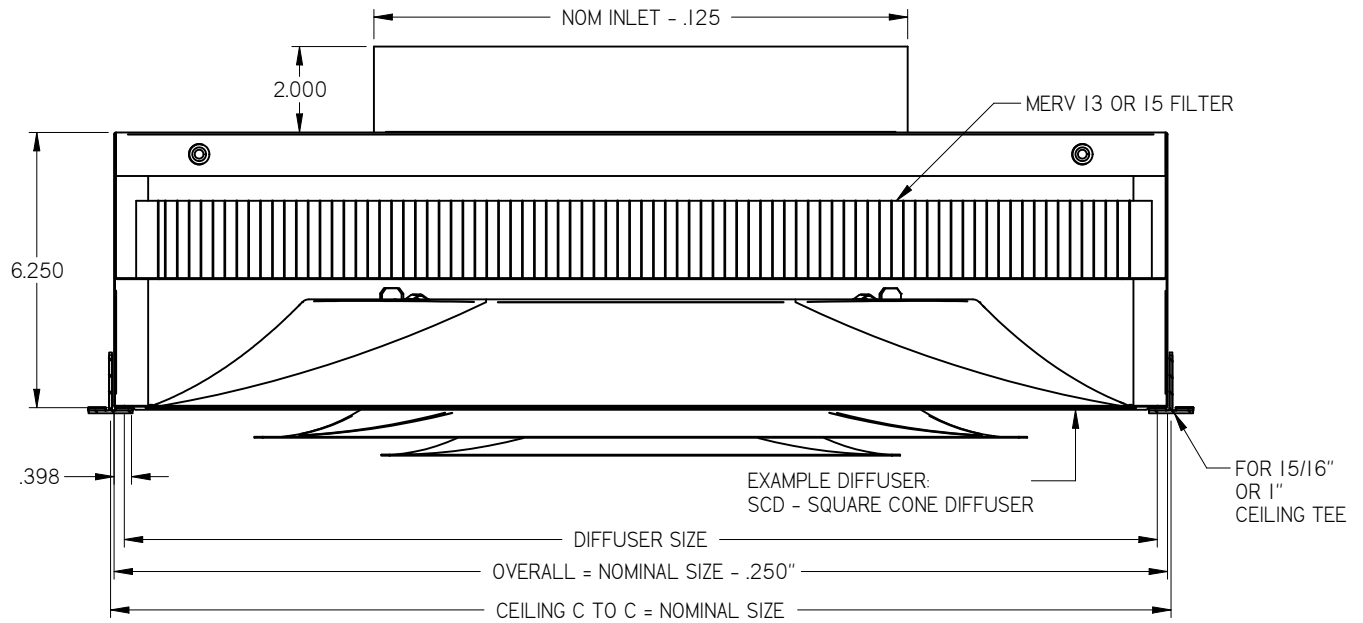
INSTALLATION INSTRUCTIONS:

- 1) BRACKETS (x4) (DETAIL A) ARE HAND BENT (DETAIL B) TO REST ON CEILING TEE AND SECURE RETROFIT MODULE IN PLACE (DETAIL C).
- 2) MERV FILTER AND CEILING DIFFUSER SLIDE INTO PLACE.
- 3) ACCESS DOOR IS INSTALLED AND SECURED TO PLENUM CASING WITH TWO PHILLIP HEAD SCREWS.

ALL METRIC DIMENSIONS () ARE SOFT CONVERTED. IMPERIAL DIMENSIONS ARE CONVERTED TO METRIC AND ROUNDED TO THE NEAREST MILLIMETER.

PROJECT:		PRICE
ENGINEER:		
CUSTOMER:		<i>KC</i>
SUBMITTAL DATE:		272417
SPEC. SYMBOL:		FDM FILTERED DIFFUSER MODULE
		SEPT 2020

**FDM - FILTERED DIFFUSER MODULE
RECESSED**



NOM SIZE	L	W
24 x 24	23.750	23.750

AVAILABLE INLET SIZES:

- 8" ROUND
- 10" ROUND
- 12" ROUND

STANDARD CONSTRUCTION:

- 24 GA STEEL MATERIAL CONSTRUCTION
- 2" THICK MERV 13 OR 15 FILTER
- HINGED ACCESS DOOR SECURED WITH ZINC PLATED PHILLIPS HEAD SCREWS
- TOTAL WEIGHT - 14.5 LBS

DIFFUSER:



- SPD - SQUARE PLAQUE DIFFUSER
- SCD - SQUARE CONE DIFFUSER
- SMD - MODULAR LOUVERED FACE DIFFUSER

FINISH:

- B12 STANDARD WHITE POWDER COAT

ALL METRIC DIMENSIONS () ARE SOFT CONVERTED. IMPERIAL DIMENSIONS ARE CONVERTED TO METRIC AND ROUNDED TO THE NEAREST MILLIMETER.



PROJECT:		 FDM FILTERED DIFFUSER MODULE
ENGINEER:		
CUSTOMER:		
SUBMITTAL DATE:	SPEC. SYMBOL:	
		 272417 SEPT 2020